



AXIAL FANS
User's manual



Quietline



www.ventilation-system.com

CONTENTS

Safety requirements.....	3
Delivery set.....	6
Brief description	6
Operation guidelines	6
Designation key.....	7
Installation.....	8
Electronics operation algorithm	8
Fan setup	10
Technical maintenance.....	11
Troubleshooting.....	11
Storage and transportation regulations.....	12
Manufacturer's warranty	13

This user's manual is a main operating document intended for technical, maintenance, and operating staff.

The manual contains information about purpose, technical details, operating principle, design, and installation of the Quietline unit and all its modifications.

Technical and maintenance staff must have theoretical and practical training in the field of ventilation systems and should be able to work in accordance with workplace safety rules as well as construction norms and standards applicable in the territory of the country.



PLEASE READ THE USER'S MANUAL CAREFULLY PRIOR TO INSTALLING, CONNECTION TO POWER MAINS AND OPERATING THE UNIT.

THE MANUFACTURING COMPANY SHALL NOT BE RESPONSIBLE FOR DAMAGE TO HEALTH AND PROPERTY OF THE CUSTOMER CAUSED BY THE CUSTOMER'S VIOLATING THE USER'S MANUAL. FOLLOW THE USER'S MANUAL REQUIREMENTS TO ENSURE DURABLE OPERATION OF THE UNIT, ITS MECHANICAL AND ELECTRICAL RELIABILITY. KEEP THIS USER'S MANUAL.

SAFETY REQUIREMENTS

This unit is not intended for use by persons (including children) with reduced physical, sensory or mental capabilities, or lack of experience and knowledge, unless they have been given supervision or instruction concerning use of the unit by a person responsible for their safety.

Children should be supervised to ensure that they do not play with the unit.

This appliance can be used by children aged from 8 years and above and persons with reduced physical, sensory or mental capabilities or lack of experience and knowledge if they have been given supervision or instruction concerning use of the appliance in a safe way and understand the hazards involved.

Cleaning and user maintenance shall not be done by children without supervision.

Children shall not play with the appliance.

Connection to the mains must be made through a disconnecting device, which is integrated into the fixed wiring system in accordance with the wiring rules for design of electrical units, and has a contact separation in all poles that allows for full disconnection under overvoltage category III conditions.

CAUTION: In order to avoid a safety hazard due to inadvertent resetting of the thermal cut-out, this unit must not be supplied through an external switching device, such as a timer, or connected to a circuit that is regularly switched on and off by the utility.

Precautions must be taken to avoid the back-flow of gases into the room from the open flue of gas or other fuel-burning appliances.

The appliance may adversely affect the safe operation of appliances burning gas or other fuels (including those in other rooms) due to back flow of combustion gases. These gases can potentially result in carbon monoxide poisoning. After installation of the unit the operation of flued gas appliances should be tested by a competent person to ensure that back flow of combustion gases does not occur.

Fixing means for attachment to the ceiling such as hooks or other devices shall be fixed with a sufficient strength to withstand 4 times the weight of the appliance.

The mounting of the suspension system shall be performed by the manufacturer, its service agent or suitably qualified persons.

The appliance is to be installed so that the blades are more than 2.3m (2.1 m AU) above the floor.

Ensure that the unit is switched off from the supply mains before removing the guard.

If there are any unusual oscillating movements, immediately stop using the unit and contact the manufacturer, its service agent or suitably qualified persons.

The replacement of parts of the safety suspension system device shall be performed by the manufacturer, its service agent or suitably qualified persons.

All operations described in this manual must be performed by qualified personnel only, properly trained and qualified to install, make electrical connections and maintain ventilation units.

Do not attempt to install the product, connect it to the mains, or perform maintenance yourself.

This is unsafe and impossible without special knowledge.

Disconnect the power supply prior to any operations with the unit.

All user's manual requirements as well as the provisions of all the applicable local and national construction, electrical, and technical norms and standards must be observed when installing and operating the unit.

Disconnect the unit from the power supply prior to any connection, servicing, maintenance, and repair operations.

Connection of the unit to power mains is allowed by a qualified electrician with a work permit for the electric units up to 1000 V after careful reading of the present user's manual.

Check the unit for any visible damage of the impeller, the casing, and the grille before starting installation. The casing internals must be free of any foreign objects that can damage the impeller blades.

While mounting the unit, avoid compression of the casing! Deformation of the casing may result in motor jam and excessive noise.

Misuse of the unit and any unauthorised modifications are not allowed.

Transported air must not contain any dust or other solid impurities, sticky substances, or fibrous materials.

Do not use the unit in a hazardous or explosive environment containing spirits, gasoline, insecticides, etc.

Do not close or block the intake or extract vents in order to ensure the efficient air flow.

Do not sit on the unit and do not put objects on it.

The information in this user's manual was correct at the time of the document's preparation.

The Company reserves the right to modify the technical characteristics, design, or configuration of its products at any time in order to incorporate the latest technological developments.

Never touch the unit with wet or damp hands.

Never touch the unit when barefoot.

Do not install or use the product until all construction and finishing work has been completed in the room where it is to be installed.

BEFORE INSTALLING ADDITIONAL EXTERNAL DEVICES, READ THE RELEVANT USER MANUALS.



**THE PRODUCT MUST BE DISPOSED SEPARATELY AT THE END OF ITS SERVICE LIFE.
DO NOT DISPOSE THE UNIT AS UNSORTED DOMESTIC WASTE.**

DELIVERY SET

Fan — 1 pc.

Screws and dowels — 4 pcs.

Self-tapping screws for fixing the bar* — 2 pcs.

Mounting bracket (for Quietline-k fans) — 1 pc.

Plastic screwdriver (only for the models with a timer) — 1 pc.

Wire fixing bar * — 1 pc.

User's manual — 1 pc.

Packing box — 1 pc.

* — except for models with a power cable

BRIEF DESCRIPTION

The product is an axial fan for exhaust or supply ventilation of small and medium-sized premises.

The fan is designed for connection to \varnothing 100, 125 and 150 mm air ducts.

OPERATION GUIDELINES

The fan is rated for connection to single-phase AC power mains.

Power supply parameters are stated on the unit packaging and/or the label on the unit casing.

Ingress protection rating against access to hazardous parts and water ingress is IPX4.

WARNING! IP is shown for the mounted product

The fan is rated for operation at ambient temperatures ranging from +1 °C to +40 °C.

WARNING! Do not operate the fan outside the specified temperature range.

The unit is rated as a Class II (220-240 V, 50 Hz) or Class III (12 V/50 Hz) electrical appliance and requires no grounding.

DESIGNATION KEY

Quietline 100 T Q black

Colour

_ : white
black
grey

Motor modification

_ : single-speed motor
Duo: double-speed motor.
Extra: two-speed high-powered motor
Q: motor with reduced speed
12: low-powered motor with supply voltage of 12 V/50 Hz

Additional modification

T : turn-off delay timer
K: non-return valve
R: power cord with an electric plug
R1: power cord with a europlug
R2: power cord with a British plug

Spigot diameter [mm]

100/125/150

Fan series

Quietline: duct axial fan
Quietline-k: duct axial fan with a mounting bracket

INSTALLATION

The fan is designed for vertical or horizontal installation into a round air duct of a matching diameter (Fig. 1-2).

Caution! In case of vertical mounting, the fan must be protected against ingress of rainfalls and condensate inside the fan.

Fan installation with direct air discharge upwards is not allowed (Fig. 3).

Use the mounting bracket to install the fan.

The mounting of the bracket to the fan is shown in Fig. 3.

The fan mounting sequence is shown in Fig. 4-11.

The fan wiring diagrams are shown in Fig. 12-15.

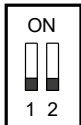


**DO NOT USE A METAL SCREWDRIVER, KNIFE, ETC. FOR ADJUSTMENT
OPERATIONS NOT TO DAMAGE THE CIRCUIT BOARD**

ELECTRONICS OPERATION ALGORITHM

The Quietline T fan starts to operate when an external switch, such as a light switch, trips, and when applying power to the LT terminal. After the external switch is turned off the fan keeps operating for a set time period, adjustable from 2 to 30 minutes, and then turns off.

The Quietline T DUO/Quietline T Extra fan has 4 operation modes. The choice of operating mode is carried out by setting the DIP switch to a certain position. Use the plastic screwdriver from the delivery set to set the DIP-switch to a required position.



Operation mode 1 (single-speed mode)

The fan is turned off by default.

When an external switch, such as a light switch, is triggered, the power supply voltage is applied to the LT terminal and the fan starts to run at second speed.

After the external switch is turned off the fan keeps operating for a set time period, adjustable from 2 to 30 minutes, and then turns off.

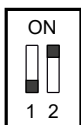


Operation mode 2 (single-speed mode)

The fan is turned off by default.

When an external switch, such as a light switch, is triggered, the power supply voltage is applied to the LT terminal and the fan starts to run at the first speed.

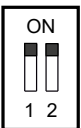
After the external switch is turned off the fan keeps operating for a set time period, adjustable from 2 to 30 minutes, and then turns off.



Operation mode 3 (two-speed mode)

When an external switch, such as a light switch, is triggered, the supply voltage is applied to the LT terminal and the fan switches to the second speed.

After the external switch is turned off the fan keeps operating at the second speed for a set time period, adjustable from 2 to 30 minutes, and then switches to the first speed.



Operation mode 4 (two-speed interval mode)

The fan switches to the second speed after a set period of time (from 1 to 15 hours) and runs at the second speed from 2 to 30 minutes, then returns to the first speed.


When an external switch, such as a light switch, is triggered, power is supplied to the LT terminal and the fan switches to the second speed.

After the switch is turned off the fan keeps operating at the second speed for a set time period, adjustable from 2 to 30 minutes, and then switches to the first speed.

WARNING! The operation mode 1 is set by default.
The operating mode may be changed during the fan mounting or operation.


FAN SETUP


Quietline T fan (Fig. 16)

 **T_{off}** To adjust the fan turn-off delay time, turn the control knob T_{off} clockwise to increase and counter-clockwise to decrease the turn-off delay time respectively, adjustable from 2 up to 30 minutes.


Quietline T DUO/Quietline 150 Extra T fan (Fig. 17)


Modes 1, 2 and 3.

 **T_{on}** To adjust the fan turn-on delay time or to switch the speed for the operation mode 3, turn the control knob T_{on} clockwise to increase and counter-clockwise to decrease the turn-on delay time respectively, adjustable from 0 up to 2 minutes.

 **T_{off}** To adjust the fan turn-off delay time or to switch the speed for the operation mode 3, turn the control knob T_{off} clockwise to increase and counter-clockwise to decrease the turn-off delay time respectively, adjustable from 2 up to 30 minutes.

Mode 4

 **T_{int}** To adjust the fan interval operation time, turn the control knob T_{int} clockwise to increase and counter-clockwise to decrease the speed switching time respectively, adjustable from 1 up to 15 hours.

 **T_{off&HS time}** To adjust the operating time at the second speed and the delay time for switching to the first speed (after turning off the switch), turn the T_{off}&HS time potentiometer knob clockwise to increase and counter-clockwise to decrease, respectively (from 2 to 30 minutes).

Caution! The timer circuit is live! Disconnect the fan from power supply prior to any adjustment operations. The fan delivery set includes a specially designed plastic screwdriver for fan settings adjustments. Use it if you need to change the timer setting. Do not use a metal screwdriver, knife, etc. for adjustment operations not to damage the circuit board.

TECHNICAL MAINTENANCE

Disconnect the fan from power mains prior to any maintenance operations and take measures to prevent unintentional power-up until maintenance is complete. The fan maintenance periodicity is at least once per 6 months, depending on the operating conditions. The technical maintenance includes cleaning the surfaces of the fan from dust, dirt, and also in checking the reliability of electrical connections (Fig. 18-21).

Follow the national safety regulations when carrying out maintenance.

WARNING! Do not allow water or liquid come into contact with electric components!

TROUBLESHOOTING

Problem	Possible reasons	Troubleshooting
When the unit is connected to power mains, the fan does not rotate and does not respond to any controls.	No power supply.	Make sure the power supply line is connected correctly, otherwise troubleshoot the connection error.
	Internal connection fault.	Contact the Seller.
Low air flow.	The ventilation system is clogged.	Clean the ventilation system.
Increased noise, vibration.	The impeller is clogged.	Clean the impeller.
	The fan is not secured well or is not mounted properly.	Troubleshoot the installation error.
	The ventilation system is clogged.	Clean the ventilation system.

STORAGE AND TRANSPORTATION REGULATIONS

- Store the unit in the manufacturer's original packaging box in a dry closed ventilated premise with temperature range from +5 °C to + 40 °C and relative humidity up to 70 %.
- Storage environment must not contain aggressive vapors and chemical mixtures provoking corrosion, insulation, and sealing deformation.
- Use suitable hoist machinery for handling and storage operations to prevent possible damage to the unit.
- Follow the handling requirements applicable for the particular type of cargo.
- The unit can be carried in the original packaging by any mode of transport provided proper protection against precipitation and mechanical damage. The unit must be transported only in the working position.
- Avoid sharp blows, scratches, or rough handling during loading and unloading.
- Prior to the initial power-up after transportation at low temperatures, allow the unit to warm up at operating temperature for at least 3-4 hours.

MANUFACTURER'S WARRANTY

The product is in compliance with EU norms and standards on low voltage guidelines and electromagnetic compatibility. We hereby declare that the product complies with the provisions of Electromagnetic Compatibility (EMC) Directive 2014/30/EU of the European Parliament and of the Council, Low Voltage Directive (LVD) 2014/35/EU of the European Parliament and of the Council and CE-marking Council Directive 93/68/EEC. This certificate is issued following test carried out on samples of the product referred to above.

The manufacturer hereby warrants normal operation of the unit for 24 months after the retail sale date provided the user's observance of the transportation, storage, installation, and operation regulations. Should any malfunctions occur in the course of the unit operation through the Manufacturer's fault during the guaranteed period of operation, the user is entitled to get all the faults eliminated by the manufacturer by means of warranty repair at the factory free of charge. The warranty repair includes work specific to elimination of faults in the unit operation to ensure its intended use by the user within the guaranteed period of operation. The faults are eliminated by means of replacement or repair of the unit components or a specific part of such unit component.

The warranty repair does not include:

- routine technical maintenance
- unit installation/dismantling
- unit setup

To benefit from warranty repair, the user must provide the unit, the user's manual with the purchase date stamp, and the payment paperwork certifying the purchase. The unit model must comply with the one stated in the user's manual. Contact the Seller for warranty service.

The manufacturer's warranty does not apply to the following cases:

- User's failure to submit the unit with the entire delivery package as stated in the user's manual including submission with missing component parts previously dismantled by the user.
- Mismatch of the unit model and the brand name with the information stated on the unit packaging and in the user's manual.
- User's failure to ensure timely technical maintenance of the unit.
- Damage to the unit casing and internal components caused by the user.
- Redesign or engineering changes to the unit.
- Replacement and use of any assemblies, parts and components not approved by the manufacturer.

- Unit misuse.
- Violation of the unit installation regulations by the user.
- Violation of the unit control regulations by the user.
- Unit connection to power mains with a voltage different from the one stated in the user's manual.
- Unit breakdown due to voltage surges in power mains.
- Discretionary repair of the unit by the user.
- Unit repair by any persons without the manufacturer's authorization.
- Expiration of the unit warranty period.
- Violation of the unit transportation regulations by the user.
- Violation of the unit storage regulations by the user.
- Wrongful actions against the unit committed by third parties.
- Unit breakdown due to circumstances of insuperable force (fire, flood, earthquake, war, hostilities of any kind, blockades).
- Missing seals if provided by the user's manual.
- Failure to submit the user's manual with the unit purchase date stamp.
- Missing payment paperwork certifying the unit purchase.



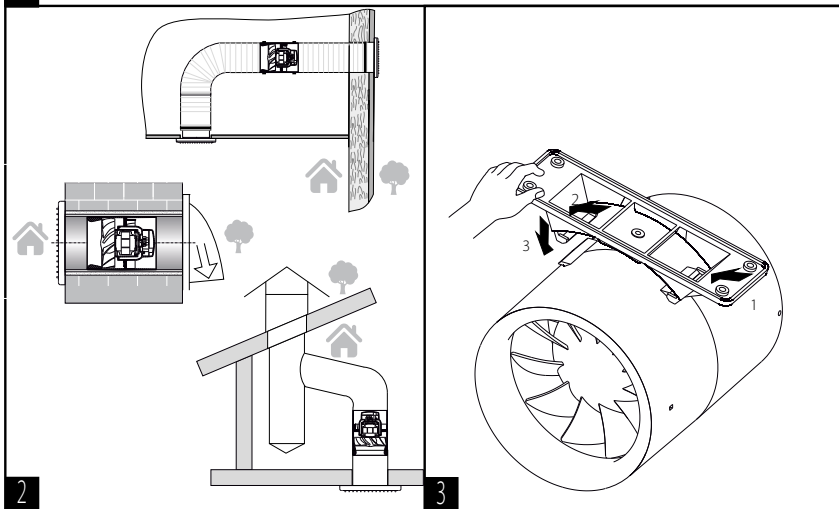
FOLLOWING THE REGULATIONS STIPULATED HEREIN WILL ENSURE A LONG AND TROUBLE-FREE OPERATION OF THE UNIT

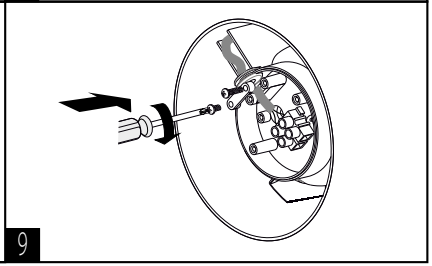
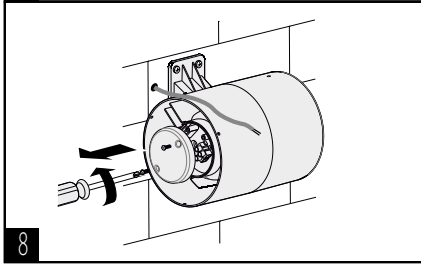
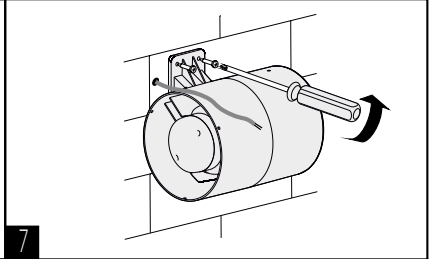
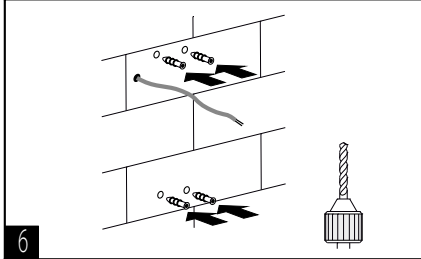
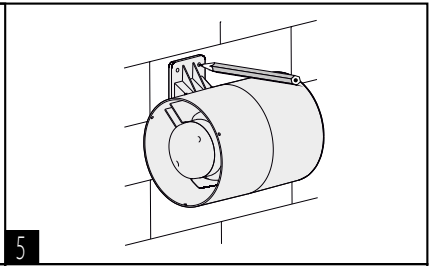
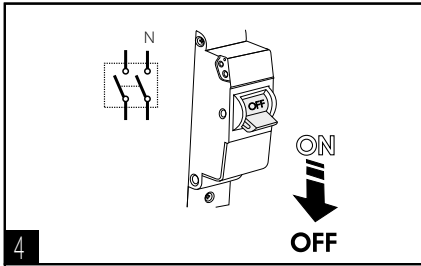


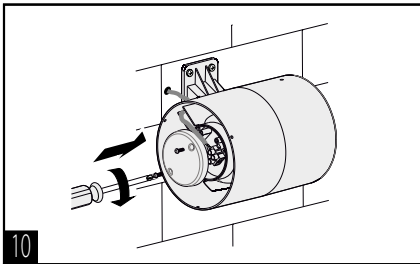
USER'S WARRANTY CLAIMS SHALL BE SUBJECT TO REVIEW ONLY UPON PRESENTATION OF THE UNIT, THE PAYMENT DOCUMENT AND THE USER'S MANUAL WITH THE PURCHASE DATE STAMP

	D [mm]	L [mm]	H [mm]	K [mm]	N [mm]
Quietline 100	99	138	-	-	-
Quietline-k 100	99	138	109	160	54
Quietline 125	124	162	-	-	-
Quietline-k 125	124 <td 162	138	160	54	
Quietline 150	149	182	-	-	-
Quietline-k 150	149	182	160	190	54

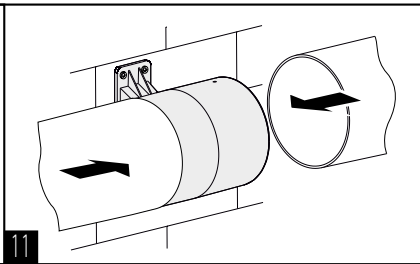
1





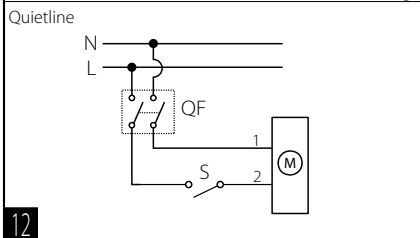


10

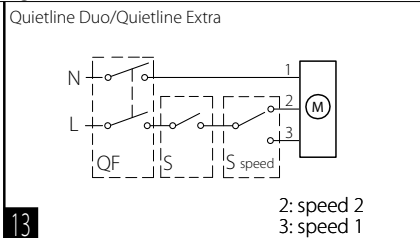


11

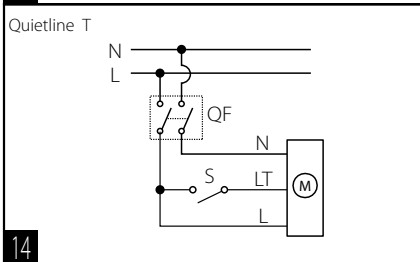
Wiring diagrams



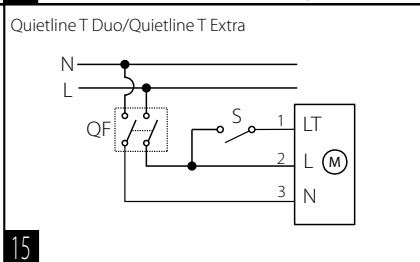
12



13

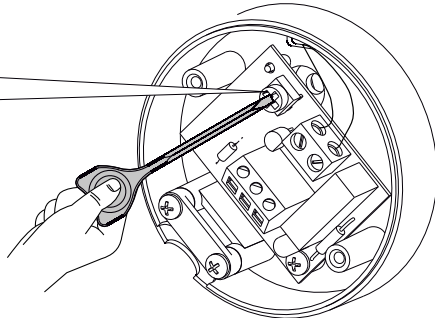
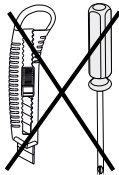


14



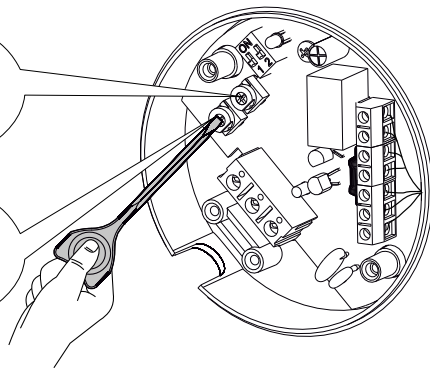
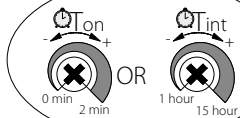
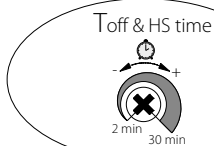
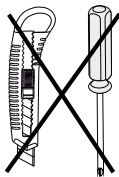
15

Quietline T

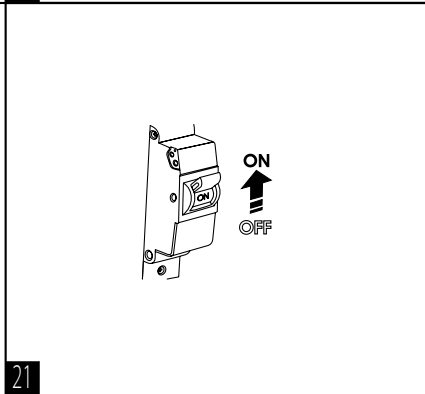
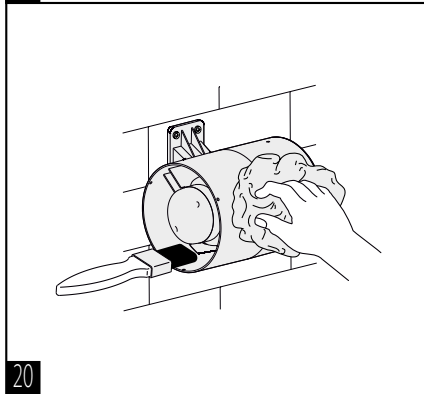
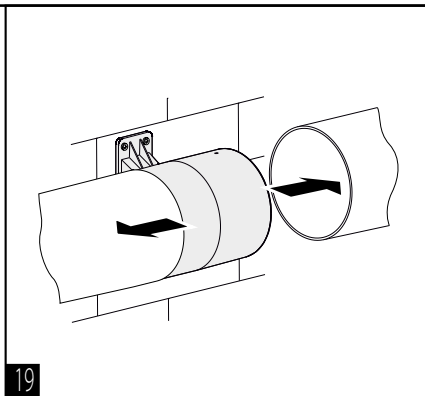
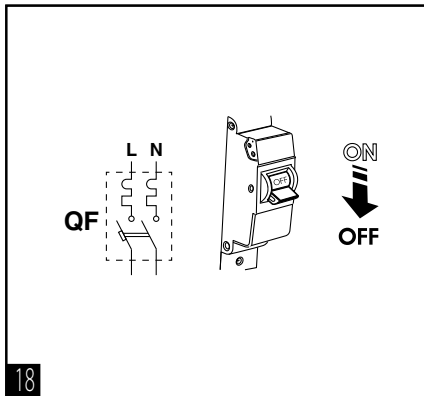


16

Quietline T Duo/Quietline T Extra



17



Certificate of acceptance

Hotline _____

Quality Inspector's Stamp _____

Seller _____

(name and stamp of the seller)

Purchase Date _____

The fan is recognized as serviceable.

Manufacturer: Ventilation Systems LLC,
Ukraine, Kyiv, 1 M. Kotsyubynskoho Street
Address of production facilities:
Ukraine, Kyiv Region, Fastiv District, Boyarka,
36 Sobornosti Street